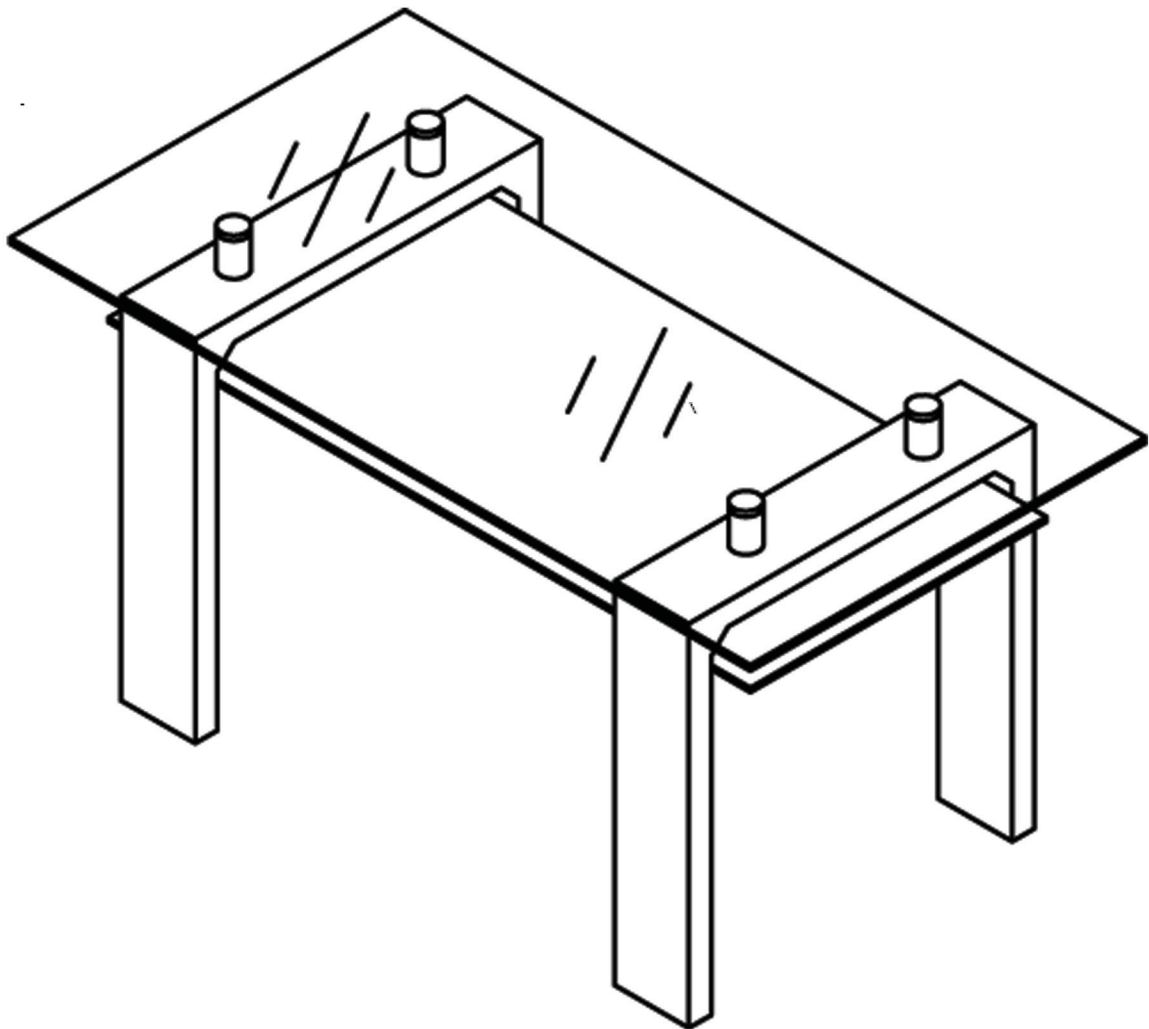







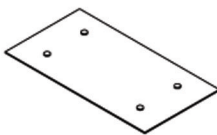
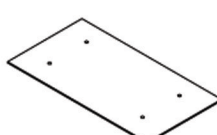
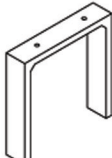


# EVA

1194\_86366

1194\_86367



A		M10x150	x4	1/2
B		M10	x4	1/2
C		M10x20	x4	1/2
D			x1	1/2
E		ø80	x4	1/2
F		ø75x80	x4	1/2
G		M10x20	x4	1/2
1		1500x800x10MM	x1	2/2
2		1300x600x8MM	x1	2/2
3			x2	1/2

FR : SAV/INFORMATION /VIDEO/CONTACT

EN: AFTER-SALES SERVICE/INFORMATION/VIDEO/CONTACT

DE : REPARATUR-SERVICE UND ERSATZTEILE /INFORMATIONEN /VIDEO/KONTAKT

ES: SERVICIO POST-VENTA/INFORMACIÓN/VIDEO/CONTACTO

IT: SERVIZIO ASSISTENZA/INFORMAZIONI/VIDEO/CONTATTO

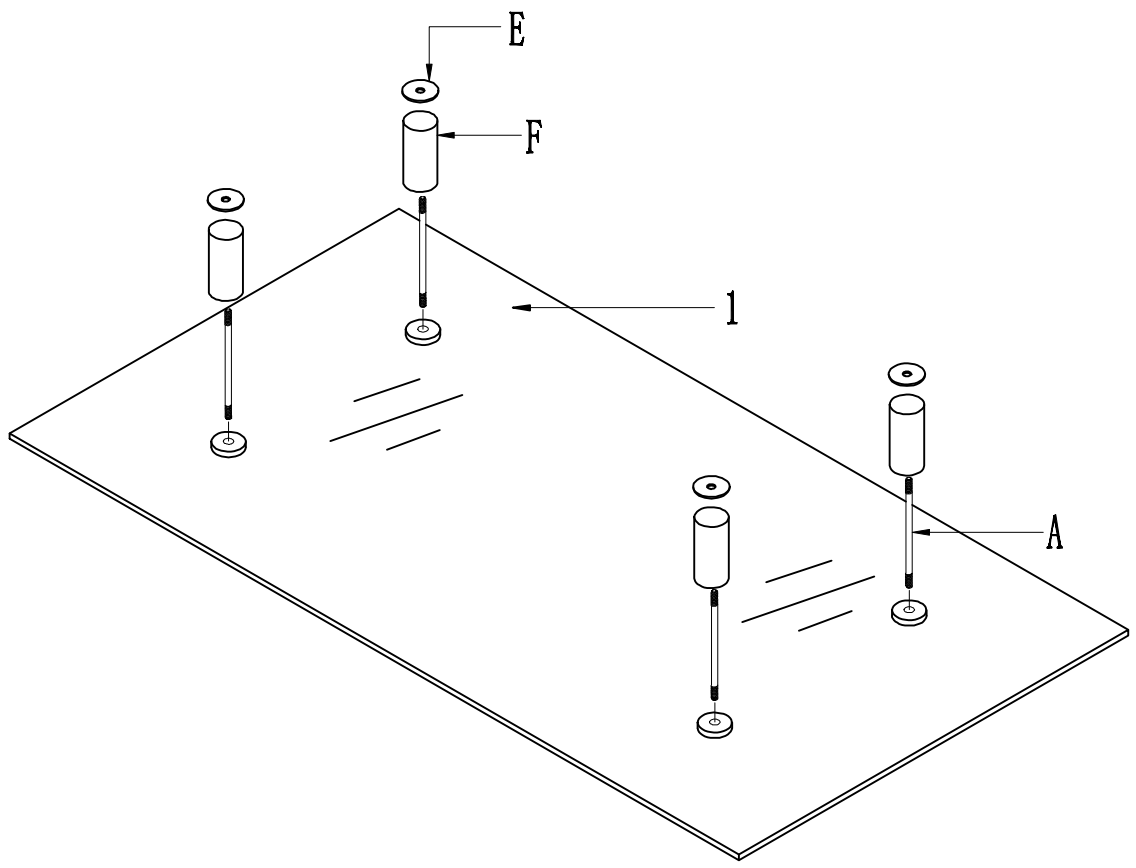
PT: SERVIÇO PÓS-VENDA/INFORMAÇÕES/VIDEO/CONTATO

PL: SERWIS TECHNICZNY/INFORMACJE/WIDEO/KONTAKT

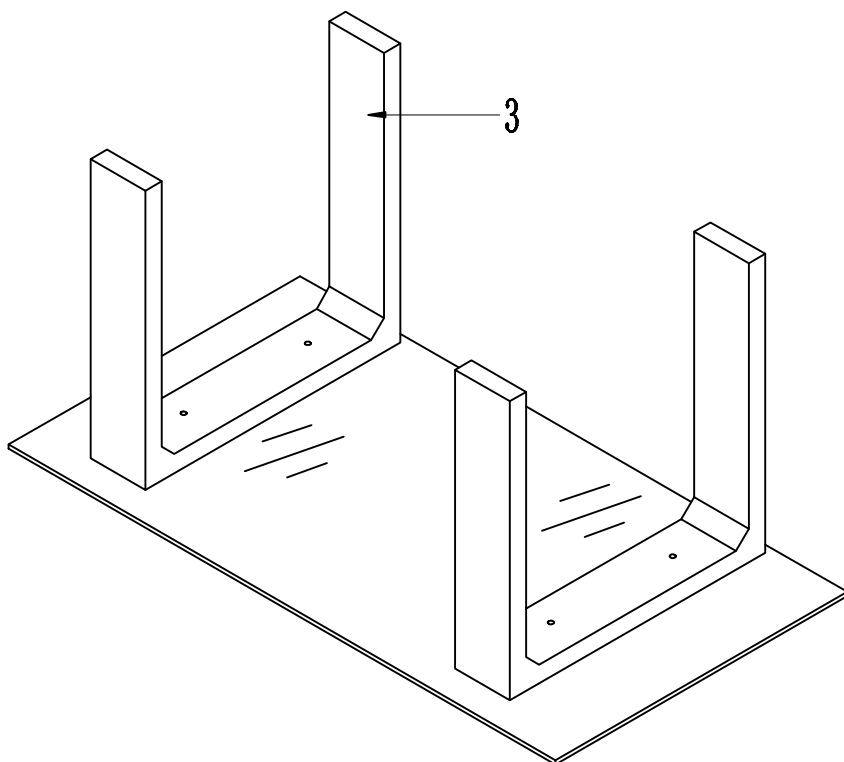
NE: AFTER SALES SERVICE/INFORMATIE/VIDEO/CONTACT

HE: מע רשקתל/ואדיווה/ עדימ/תורכמו תוריש רחאל

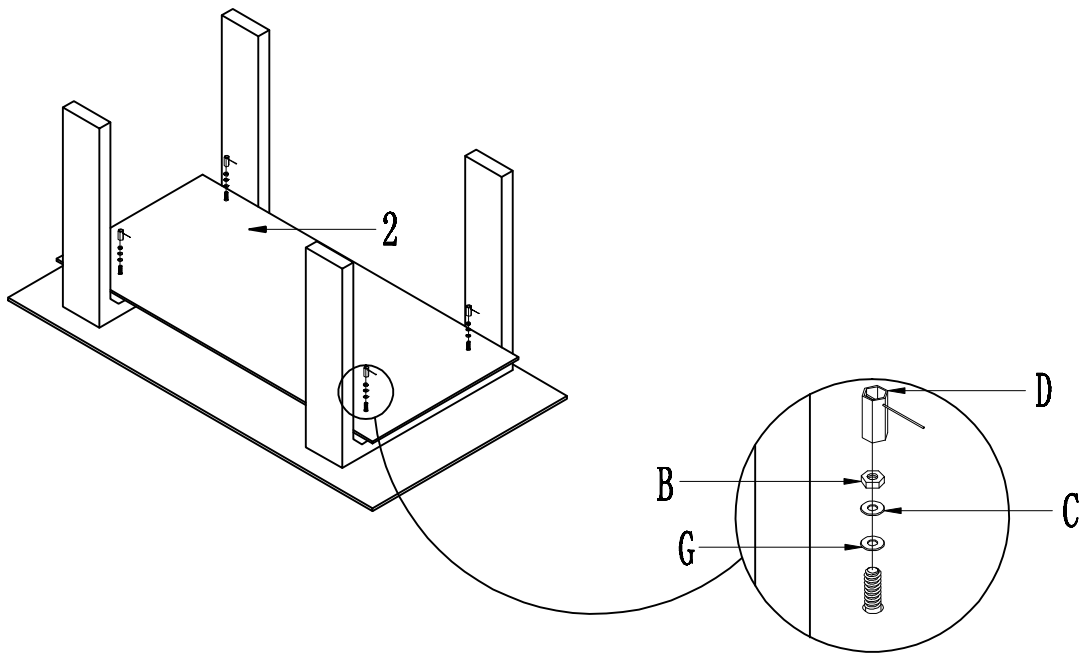
**SAV.HABITATETJARDIN.COM**



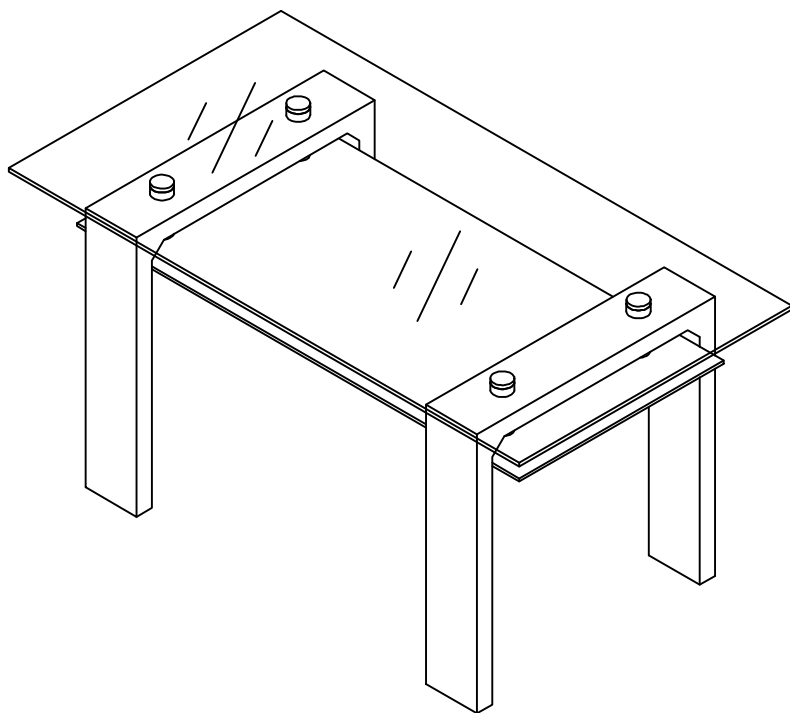
1



2



3



4